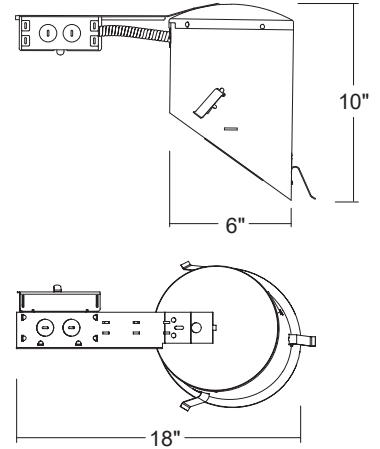


LED9000ICRA / LED9000ICRA-01V

6" Super Slope IC Air-Tight LED Dedicatd Remodel Housing



Dimensions



SPECIFICATION

Housing

- Designed for use in ceiling with slopes from 7/12 to 12/12

Junction Box

- Listed for through branch circuit wiring
- Contains one 1-1/8", seven 7/8" knockouts and four Romex pryouts with strain relief

Remodel Clips

- Three remodel clips secure housing and accommodates 1/2" and 5/8" ceiling materials

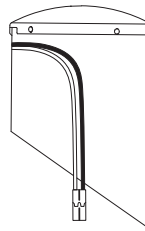
Listings

- cULus Listed for Damp Location
- cULus Listed for Feed Through
- Certified under ASTM-E283 for Air tight construction

CONNECTOR

LED9000ICA

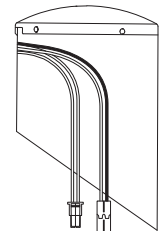
Triac Dimming Ver.



Ideal connector

LED9000ICA-01V

0-10V Dimming Ver.



Molex connector Ideal connector

ORDERING INFORMATION

Model No.	Dimming	Description
LED9000ICRA	Triac Dimming	6" Super Slope IC Air-Tight Dedicated Remodel Housing
LED9000ICRA-01V	0-10V Dimming	6" Super Slope IC Air-Tight Dedicated Remodel Housing

COMPATIBLE TRIMS

LED9000ICRA

Model NO.

Description

SSLKT600	6 inch LED Super Slope Round Smooth Retrofit kit
SSLKT603	6 inch LED Super Slope Round Baffle Retrofit kit
SSLKT600-3CCT	6 inch Selectable 3 CCT LED Super Slope Round Smooth Retrofit kit
SSLKT603-3CCT	6 inch Selectable 3 CCT LED Super Slope Round Baffle Retrofit kit
SSLKT600-5CCT	6 inch Selectable 5 CCT LED Super Slope Round Smooth Retrofit kit
SSLKT603-5CCT	6 inch Selectable 5 CCT LED Super Slope Round Baffle Retrofit kit

LED9000ICRA-01V

Model NO.

Description

SSLKT600-5CCT-M	6 inch Selectable 5 CCT LED Super Slope Round Smooth Retrofit kit
SSLKT603-5CCT-M	6 inch Selectable 5 CCT LED Super Slope Round Baffle Retrofit kit